



DSX Access Systems, Inc.

## DSX-OX4 Four Relay Expander

### DSX-OX4 Four Relay Output Extender

The Four Relay Extender connects to the DSX-1022 and DSX-1042 Controllers. This module provides four fully functional fused relay outputs. Relays rated at 5A at 30VDC / 125VAC with the common terminals fused at 1A. The module Mounts on a 1040E Rail or on 4 adhesive standoffs. Communication to the module is RS-232 or RS-485 allowing the module to be 50' (RS-232) to 4000' (RS-485) from the Sub Controller it is connected to. This module can also be connected to a serial port on the Comm Server and controlled with the ASCII output from input alarms and status change.

#### Size

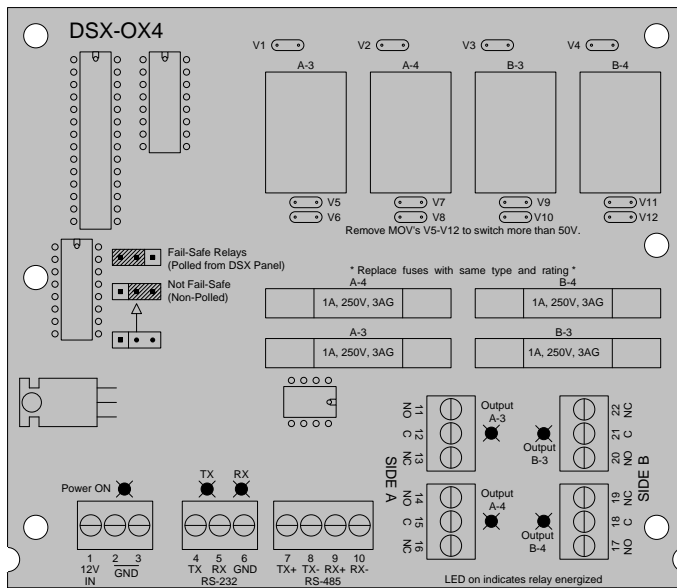
5.3" W x 4.5" H x 1.3" D

#### Weight

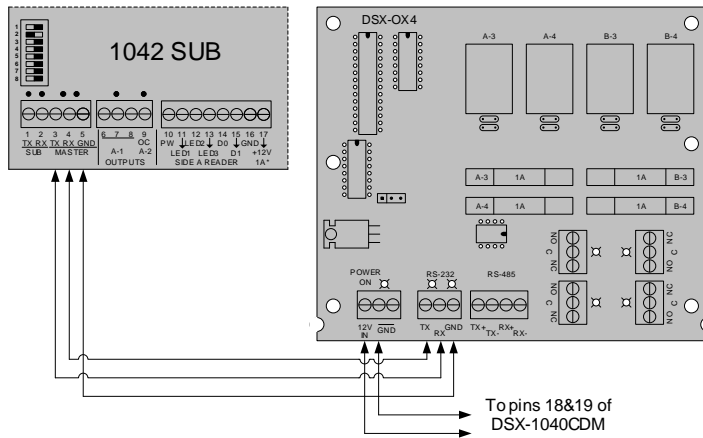
.2 lb.

#### Power Requirements

13.5VDC @ 300ma

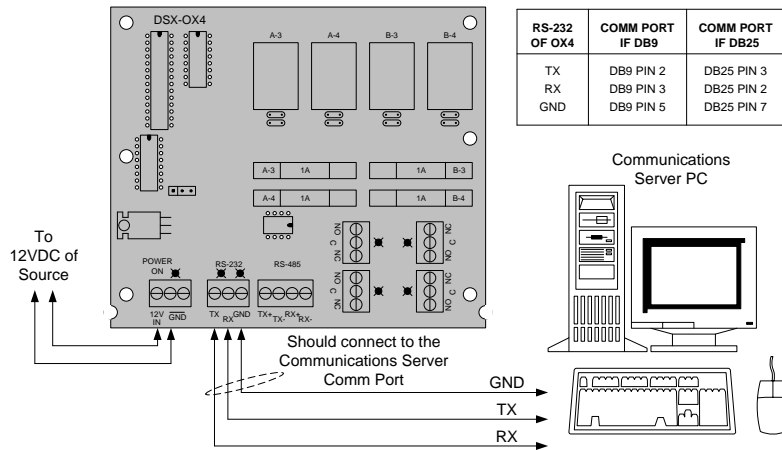


### DSX-OX4 connections to DSX-1042



To pins 18&19 of DSX-1040CDM

### DSX-OX4 connections to DSX Comm Server



### DSX-OX4 connections to DSX-1022

