



DSX-1040PNV Installation

The DSX-1040PNV non-volatile memory processor is a replacement processor that provides a layer of resiliency to any existing DSX system. The processor will retain its memory and allow a controller to be immediately operational upon power up without the need for a download from the DSX Communications Server.

The DSX-1040PNV Processor can be installed on all DSX-1040 Series and all DSX-1022 Controllers. It can also be installed on 1030PR5 Retrofit Processors. Once this processor is installed on the Master Controller, it will become operational on power up and if called upon, will download any subsequent Sub Controllers providing them with the data required to make them fully operational. In addition, this processor can be installed on any or all Sub Controllers in the same Location to provide even further operational resiliency.

Reset Non Volatile Memory Procedure

*****required*****

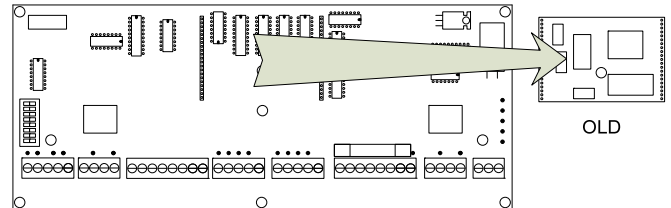
1. Power down the Controller
2. Change the Dipswitch setting (change switch 1)
3. Power up the Controller (Alive LED flashes)
4. Power down the Controller
5. Change the Dipswitch back to correct settings
6. Power up the Controller

DSX-1040PNV on 1040 Series

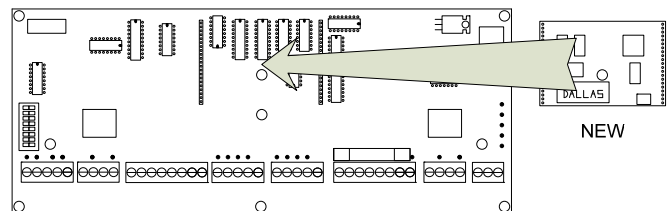
1. Disconnect Power from the Controller that you are to install this processor on.
2. Remove all field wiring using the removable terminal blocks.
3. Remove the three mounting screws that secure the board to the mounting rails of the enclosure.
4. Carefully remove the shield from the circuit board. Older metal shields will need to be pried up

on the four corners. Once complete this metal shield will have to be left off or the bottom can be left unsecured. Plastic shields can be pulled up at each securing anchor and can be reattached when finished.

5. Locate the small daughter board (processor) on top of the I/O board. Gently pull straight up on each side slowly until the old processor has been unseated.



6. Line up the new processor with the row of male and female pins and gently push the new processor down until seated.



7. Reattach the plastic shield. For a metal shield, leave it unsecured at the bottom nearest the terminal blocks or leave it completely off.
8. Using the three mounting screws reattach the controller to the enclosure mounting rails.
9. Reconnect the removable terminal blocks and field wiring except for power.
10. Power the controller up and make sure the Alive LED starts to flash normally.
11. Force a Full Download to the controller.

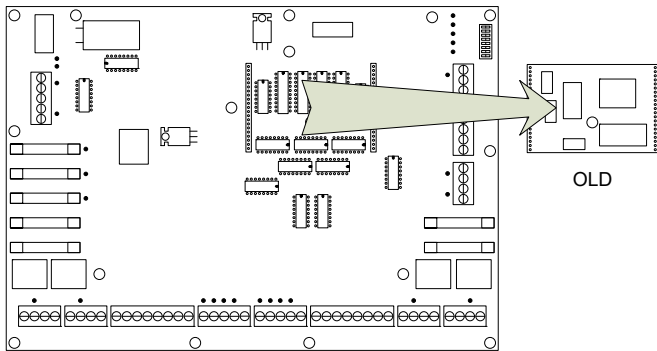
Note/// Use these same instructions as the basic guideline for installing a DSX-1040PNV on DSX-1043 and DSX-1044 Controllers.

DSX-1040PNV on DSX-1022/20

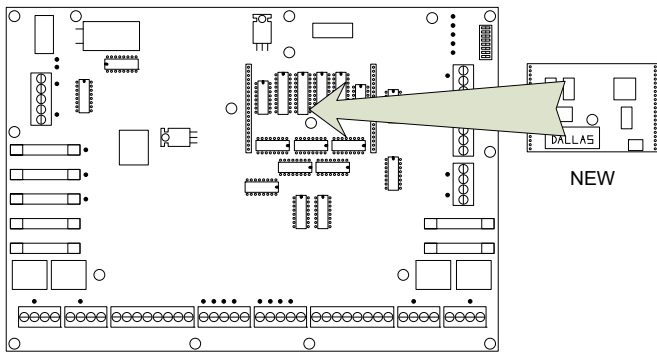
The DSX-1040PNV can be installed on the DSX-1022 Intelligent Controller and on the 1030PR5 Retrofit Processor for the 1030 Series Controllers.

Use these instructions for the for the DSX-1022.

1. Disconnect Power from the controller that you are to install this processor on.
2. Remove all field wiring by unplugging the removable terminal blocks.
3. Remove the 11 mounting screws that secure the board to the enclosure standoffs.
4. Carefully remove the shield from the circuit board by first removing the 2 screws that connect the shield to the Heat Sink in the top left corner of the board. Once the Heat Sink screws are removed carefully pry the shield off at the four corners.
5. Locate the small daughter board (processor) on top of the I/O board. Gently pull straight up on each side slowly until the old processor has been unseated.



6. Line up the new processor with the row of male and female pins on each side and gently push the new processor down until seated.



7. Reattach the shield and reinsert the 2 screws back into the Heat Sink through the shield.

8. Re-mount the controller using the 11 screws previously removed.

9. Reconnect the removable terminal blocks and field wiring except for power.

10. Power the controller up and make sure the Alive LED starts to flash normally.

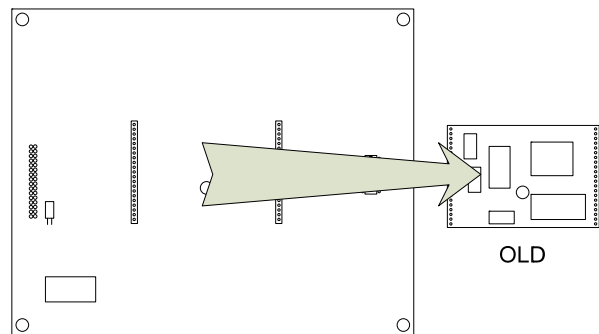
11. Force a Full Download to the controller.

DSX-1040PNV on 1030PR5

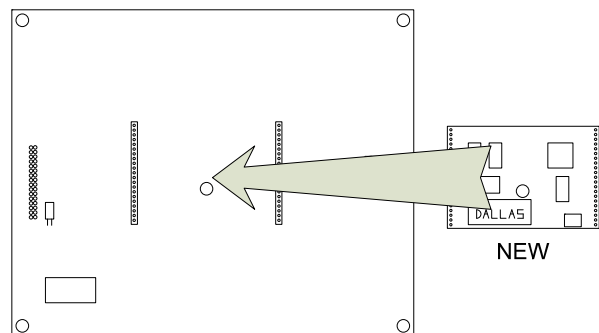
1. Remove Power to controller and release the Ribbon Cable on the processor that connects the processor to the I/O board.

2. Loosen the mounting nuts and Remove 1030PR5 from inside of enclosure door.

3. Locate the small daughter board (processor) on the back side of the 1030PR5. Gently pull straight up on each side slowly until the old processor has been unseated



4. Line up the new processor with the row of male and female pins on each side and gently push the new processor down until seated.



5. Remount the 1030PR5 and reconnect the ribbon cable.

6. Reapply power to the controller and force a Full Download.