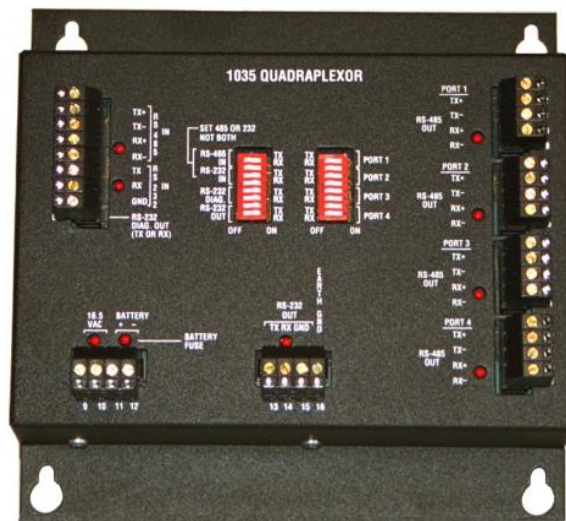




DSX Access Systems, Inc.

DSX-1035 Quadraplexor



- RS-232 / RS-485 Inputs
- Master to Slave Star Wiring
- 4 RS-485 / 4 Wire Outputs
- 1 RS-232 / 3 Wire Output
- RS-232 Diagnostic Outputs
- Protocol Independent
- TCP/IP Communications
- Powered by integral power supply or Controller

DSX-1035 Quadraplexor

Size

DSX-1035 7.25" W x 6.75" H x 2.0" D

Weight

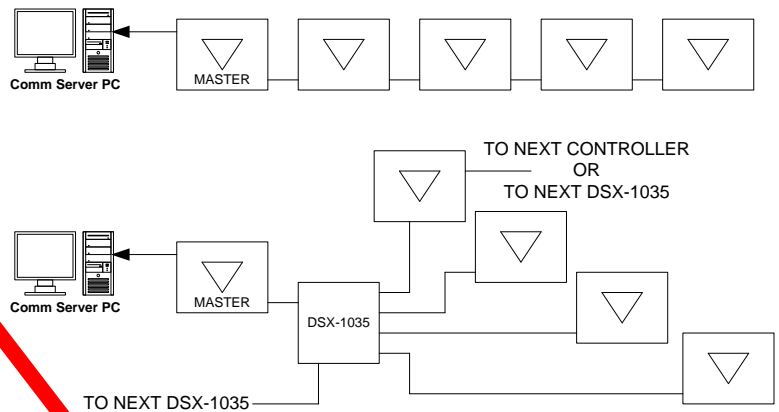
DSX-1035 2.00 lb.

Finish

Black Powder Coat with White Silkscreen.

Temperature/Humidity

Operating 32 to 131 F / 0 to 95%, relative



Supply Voltage

AC Input Voltage 16.5 VAC 40VA or
DC Input Voltage 12 VDC @ 500 ma

Current Requirements

DSX-1035 only 12 VDC @ 500ma

Standby Power

Trickle Charge 13.5 VDC 500ma Fused
For UL Installations, battery must be Powersonic PS-1270, Interstate PC-1270, or SBS S-1272.

Inputs

RS-232 50 feet max
RS-485 4000 feet max

Outputs

RS-485 4-Wire 4
RS-232 3-Wire 1 RS-232 Diagnostic 1

Warranty

Limited 2 Year