



INTEGRATED LOCKSETS

DSX-L85 FEATURES

Highly adaptive to any environment, DSX-L85 Locksets offer 6 modes of operation. Lockset conditions are monitored by DSX as Inputs and report the lock status in up to 14 different states. The versatility of the Integrated Locksets and DSX provide an abundance of custom applications available for deployment.

MODES OF OPERATION

Standard (AD, NDE, LE)

Valid credentials momentarily unlock the Door.
The internal Push Button can signal an alarm but does not have any other interaction with the lockset.

Privacy (AD, LE)

Valid credentials on the exterior momentarily unlock the Door.
Interior Push Button enables privacy which disables normal electronic access from the exterior.
Pushing the button, a second time deactivates the privacy mode.
Request to exit removes Privacy.
Access can be granted from the Workstation program on the PC.

Classroom / Storeroom (AD, NDE, LE)

Valid credentials on the exterior toggles the lock state of Door Open or Secure.

Office (AD, LE)

Interior Push Button and a valid credential used on the exterior toggles the lock state of Door to Open or Secure.

Curfew (AD, LE)

A Time Zone assigned to the Deadbolt Monitor can generate an alarm if the Door is not shut and locked within a predetermined time OR if it is opened during that predetermined time.

Apartment (AD, LE)

Interior Push Button toggles the lock state of the Door Open or Secure.
Request to Exit unlocks the Door. When the Door is unlocked, a valid credential used on the exterior toggles the lock state of the Door to Secure. When the lock is Secure (manually or by Time Zone) a valid credential will momentarily unlock the Door.



OPERATIONAL NOTES

Not all Locksets have the same features.

- Inside Lever always allows free egress.
- Deadbolt always disables keyless entry.
- Grant Access from Workstation overrides deadbolt and Internal push button.
- The Curfew feature can be implemented in any mode by placing a controlled time zone on the deadbolt monitor input.
- In Case of Emergency - Manual Action from Workstation overrides all Modes.
- Communications Loss to Lockset can result in Fail Open, Fail Secure, or Fail to current state. This is configurable by Lockset.
- Keypads can be configured for Card + PIN or Card or PIN.
- Order of Priority: Operator Commands, Deadbolt, Time Zone, User Actions (Reader / Internal Push Button)

LOCKSET CONDITIONS MONITORED BY L85

Most of the conditions below are monitored and reported to DSX as Inputs.

Inputs can be controlled by Time Zones and assigned custom icons.

WAV files, graphic alarm maps and can be programmed to send text messages and emails.

The Input number is shown next to the Events that are represented by Inputs.

1 Inside Pushbutton - can be used as a panic alarm in mode 0 & 1.

2 Key Override - armed with time zone for keyed entry alarm.

3 Request to Enter - used with abort delay can render - "desperate to open" alarm.

4 Deadbolt Position - can be used for Curfew alarm.

5 Tamper Cover - monitored for unauthorized access.

6 Clutch Status - provides an alarm when lock is not in correct state.

7 Door Position - provides alarm on unauthorized entry or if left open.

8 Exit Request - should not be assigned a time zone.

9 RF Communications Link - can provide out of service alarm.

10 Main Battery Low - can report battery status.

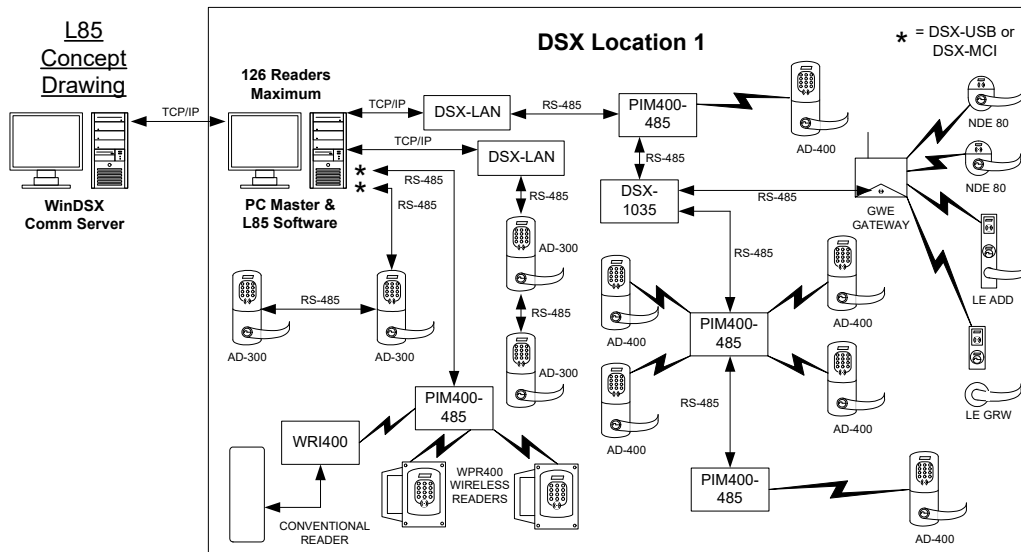
11 Main Battery Critical - can report battery critical.

12 Lithium Battery Low - can report lithium battery status.

13 Lithium Battery Critical - can report lithium battery critical.

14 Communication Loss - reports comm loss to lockset.

DSX-L85 CONCEPT DRAWING



All Communications can be via DSX-USB or DSX-LAN-D.

DSX Comm Server, PC Master, and L85 software can all run on the same PC depending on the size of the application.