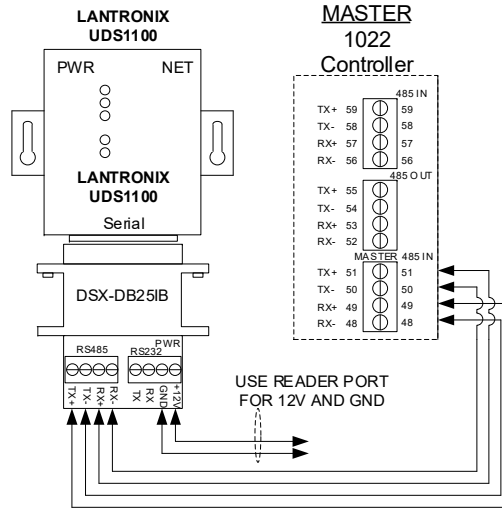
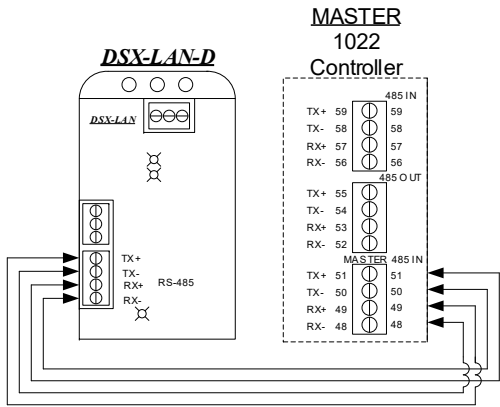
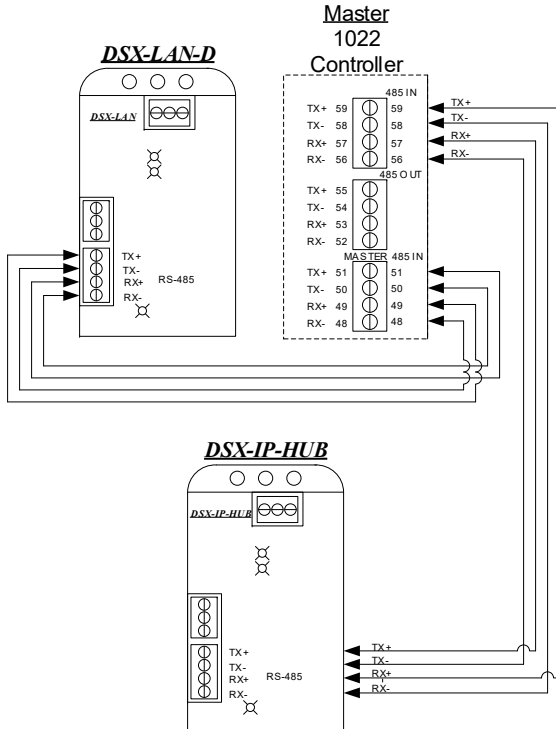


DSX-LAN-D Connections



DSX ACCESS SYSTEMS, INC.

DSX-HUB &-D Connections



UDS1100 Connections

Communications Connections

Legend

- 1 = In to In, Tx-Rx, Rx-Tx
- 2 = Out to In, Tx-Rx, Rx-Tx
- 3 = Out to In, Tx-Tx, Rx-Rx

	TO												
	DSX-1021 Master	DSX-1022 Master	DSX-103x Master	DSX-1040 CDM w/Master	DSX-1035 Quadrplexor	DSX-485T	DSX-MCI	DSX-LAN	DSX-USB	DSX-1021 Sub	DSX-1022 Sub	DSX-103x Sub	DSX-1040 CDM w/Subs
DSX-1021 Master					1	1	1			1	1	1	1
DSX-1022 Master					1	1	1			1	1	1	1
DSX-103x Master					1	1	1			1	1	1	1
DSX-1040 CDM w/ Master					1	1	1			1	1	1	1
DSX-1035 Quadrplexor	2	2	2		2	2		2	2	2	2	2	2
DSX-485T					3	3		3	3	3	3	3	3
DSX-MCI					2	3	2			2	2	2	2
DSX-LAN	2	2	2		2					2	2	2	2
DSX-USB	2	2	2	2				2		2	2	2	2
DSX-1021 Sub					3	3	3			3	3	3	3
DSX-1022 Sub					3	3	2			3	3	3	3
DSX-103x Sub					3	3	3			3	3	3	3
DSX-1040 CDM w/Subs					2	2	3			2	2	2	2

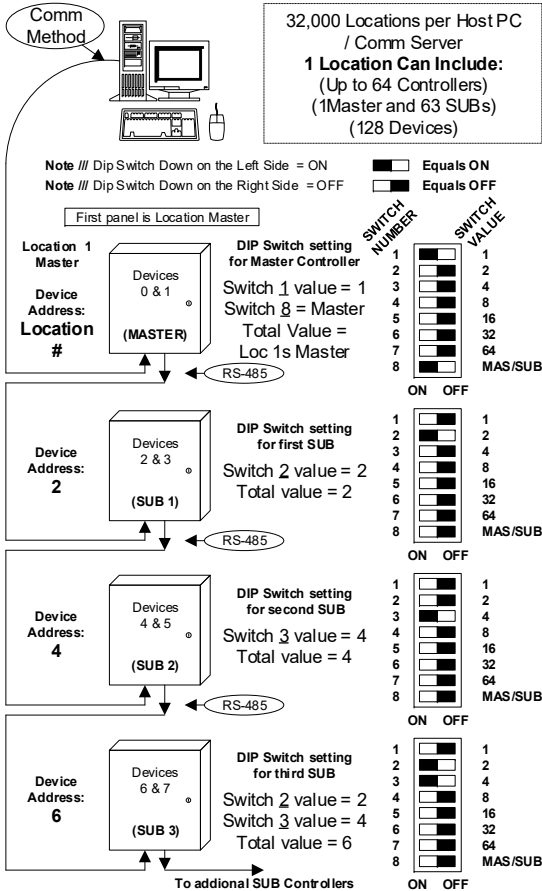
DSX-1022 QUICK REFERENCE CARD

DSX Access Systems, Inc.
10731 Rockwall Road, Dallas, Texas 75238
214-553-6140

www.dsxinc.com

To use the communication chart below find what you are communicating from on the left followed by what you are communicating to on the top right. The intersection provides a number that corresponds to a wiring convention in the Legend.

Typical System Addressing



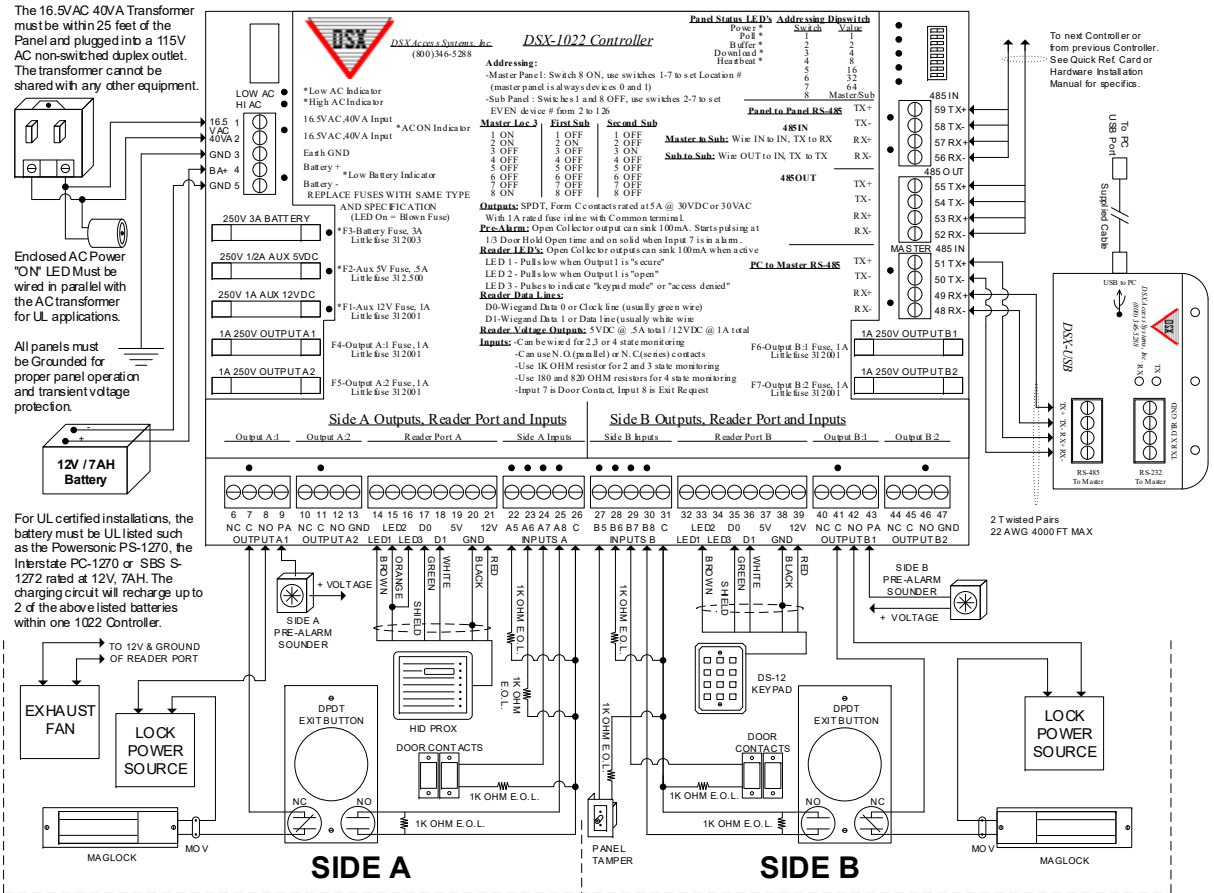
Note !!! Dip Switch at a Master panel must equal the Location #.
Note !!! Dip Switch at a SUB panel must equal Device Address of Side A.

Use this Diagram to assist you in setting the address switches on each DSX Controller. The above graphic represents location 1 and the first three Sub controllers.

Note- Switch Rules!!!

- Turn the switches on and Add the values.
- Side A = even number set by the switches.
- Side B = next highest odd number.
- The Master is always device address 0 & 1.
- To set the Master address above 127 set switches 1-7 off, set switch 8 on and set the address using KB2CW.exe from the WinDSX folder.

Typical Connections



Reader Connection Definitions:

Pre-Alarm connection is an open collector capable of -100mA DC current. Pre-Alarm normally connects to a sounder located near a controlled door to indicate a door has been held open too long.
LED.1 provides (-100mA) to the Reader Secure LED when "Secure".
LED.2 provides (-100mA) to the Reader Open LED when "Open".
LED.3 provides 2 (-100mA) pulses to the Reader Access Denied LED when there is an "Access Denied" condition.
DATA.0 provides a Data 0 or "Clock" signal to the controller.
DATA.1 provides a Data 1 or "Data" signal to the controller.
+5VDC provides up to 5VDC rated at 500mA to power Readers.
NEGATIVE aka GND provides the Reader with a Ground.
+12VDC provides 12VDC rated at 1A to power Readers.
 Note: The +12VDC connection also can be used to provide voltage to other components, such as the DSX Modem. This power supply is shared between the Side A and the Side B Reader Ports.

MOV Usage: If voltages higher than 50 volts are to be switched through the Output relay contact, the individual MOV's (V1&V2, V3&V4, V5&V6 or V7&V8) should be removed from the specific Output.

Output Extender: Use the DSX-0X4 to provide 4 additional Form-C Output Relays, One Extender can connect to a DSX-1022 at the Master (485 IN) port of a Sub CONTROLLER. (Required Terminations include TX-RX, RX-TX & +12VDC & GND).

Panel LED Definitions:

POLL Flashes at a Sub to indicate Comm. to Master panel.
BUFEER is On to indicate panel is storing all history events.
DOWNLOAD is On to indicate the panel is being programmed by the Master.
HEARTBEAT Flashes to indicate the panel is operating.
AC LED is On to indicate AC voltage is present.
LOWAC is On when the AC at panel is approx. 15V or lower.
LOWBATTERY is On when battery voltage drops to approx. 11.5V or lower.
INPUT LEDs are On to indicate the input is normal.
OUTPUT LEDs are On when the relay coil is energized.

Input Circuit Types:

Type.0 - Can monitor NO and/or NC switches, req. 1k Ohm EOL, no Trouble.
Type.1 - Can monitor NC switches, req. 1k Ohm EOL, Sensor open = Alarm, Circuit short = Trouble.
Type.2 - Can monitor NO switches, req. 1k Ohm EOL, Sensor short = Alarm, Circuit open = Trouble.
Type.3 - Can monitor NC switches, req. 180 and 820 Ohm EOLs, Sensor open = Alarm, Circuit open = Trouble, Circuit short = Trouble.
Type.4 - Can monitor NO switches, req. 180 and 820 Ohm EOLs, Sensor closed = Alarm, Circuit open = Trouble, Circuit short = Trouble.

Output Type:

Output Relays Provide Form C, Dry Contact, SPDT, rated at 5A at 30VDC or 30VAC. Contacts provided include NO, C, NC. Each Output Relay includes a 1A fuse inline with the Common terminal.

