

THE BRIDGE



Make any Wiegand device wireless
with the Sure-fi Bridge



**Housing options sold separately.*

1/3 MILE*



**WIRELESS
TECHNOLOGY**

Keep your Wiegand system connected. Fix faulty Wiegand systems quickly and easily with our wireless bridge system.

Forget about the miles of wires, easy installation for jobs where running wire is either too expensive or inconvenient.

FEATURES

- Works with any Wiegand protocol
- 2 Wiegand inputs
- 2 relay outputs
- Request to exit input
- Door monitor input
- Battery backup
- Wet or dry relay



Technology

Sure-Fi

*1/3-mile range, depending on environmental conditions.

• 50x more powerful than Wi-Fi or ZigBee, and 10x more powerful than Z-Wave.

• Sure-Fi is the only reliable commercial-grade wireless IoT network.



Specifications

Operating Power: 12/24VDC

12V: 50mA (idle)
1A (transmit)

24V: 25mA (idle)
500ma (transmit)

Range:

1/3 Mile Through Obstructions
10 Miles Line of Sight

Relays:

2 amp 250v AC
2 amp 220v DC

Minimum / Maximum

Temperature Range:

-40°F to 185°F (-40°C to 85°C)

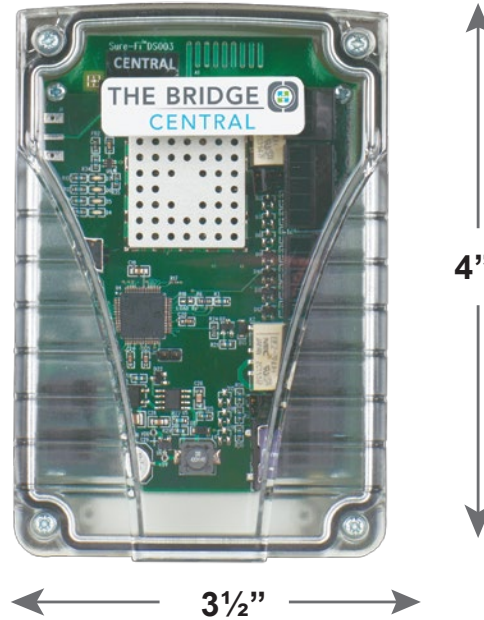
Security Encryption:

AES

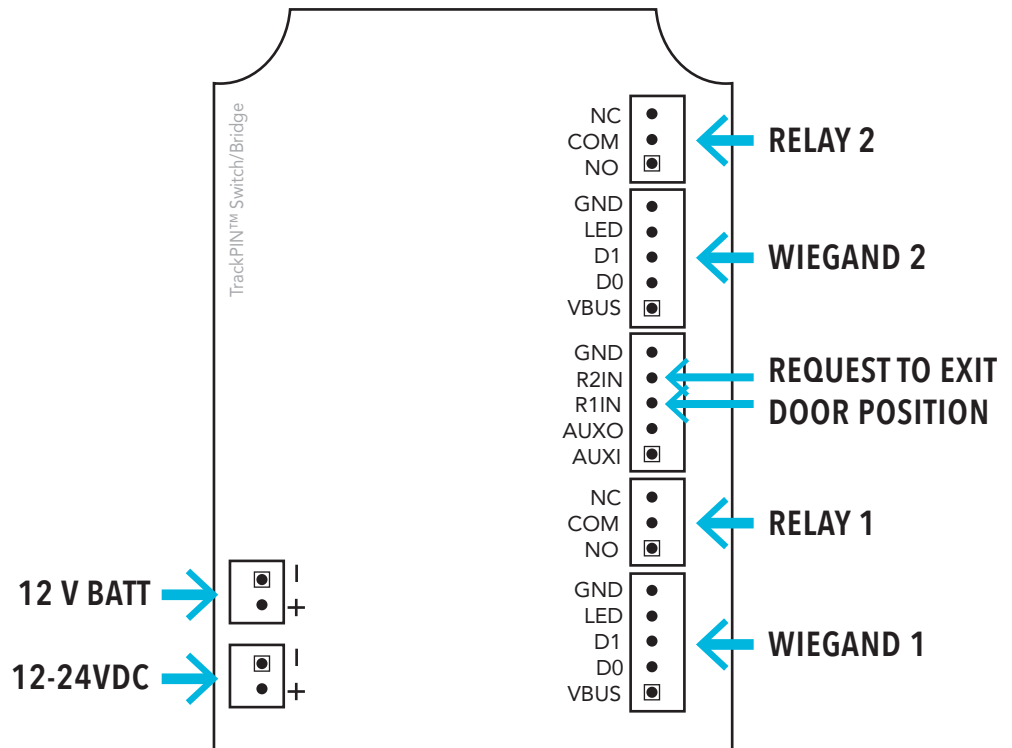
Dimensions:

3.5 (w) x 4 (h) x 1.5 (d) inches

Dimensions



Wiring Diagram



Contact Us

TRANSMITTER SOLUTIONS

PH 866.975.0101

FX 866.975.0404

www.transmittersolutions.com